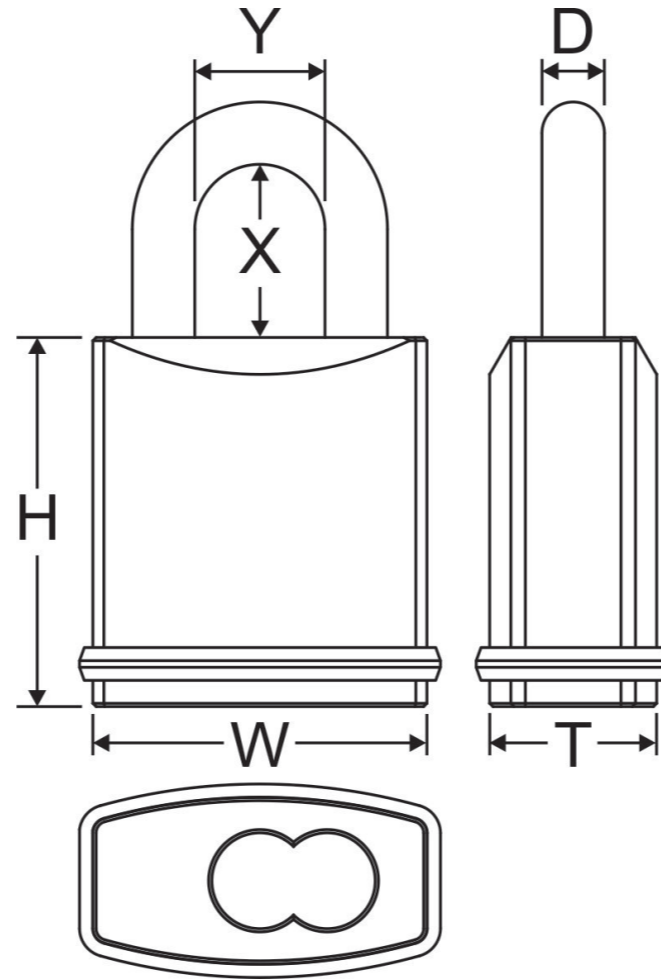


# SIZE CHART

LF650C



| Item #     | DIMENSION(MM) |    |    |         |     |    | Keyway            |
|------------|---------------|----|----|---------|-----|----|-------------------|
|            | Lock Body     |    |    | Shackle |     |    |                   |
|            | W             | H  | T  | D       | X   | Y  |                   |
| LF650C/19  | 45            | 56 | 22 | 6.35    | 19  | 20 | No core<br>No key |
| LF650C/25  | 45            | 56 | 22 | 6.35    | 25  | 20 |                   |
| LF650C/38  | 45            | 56 | 22 | 6.35    | 38  | 20 |                   |
| LF650C/50  | 45            | 56 | 22 | 6.35    | 50  | 20 |                   |
| LF650C/76  | 45            | 56 | 22 | 6.35    | 76  | 20 |                   |
| LF650C/102 | 45            | 56 | 22 | 6.35    | 102 | 20 |                   |

\* Each Item# includes several shackle dimension (X): 19, 25, 38, 50, 76, 102 (mm)  
Such as: LF650C/19, LF660C/50, LF670C/102